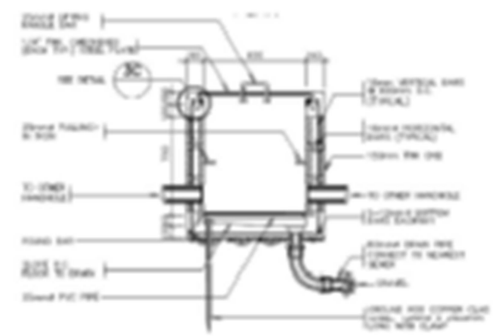
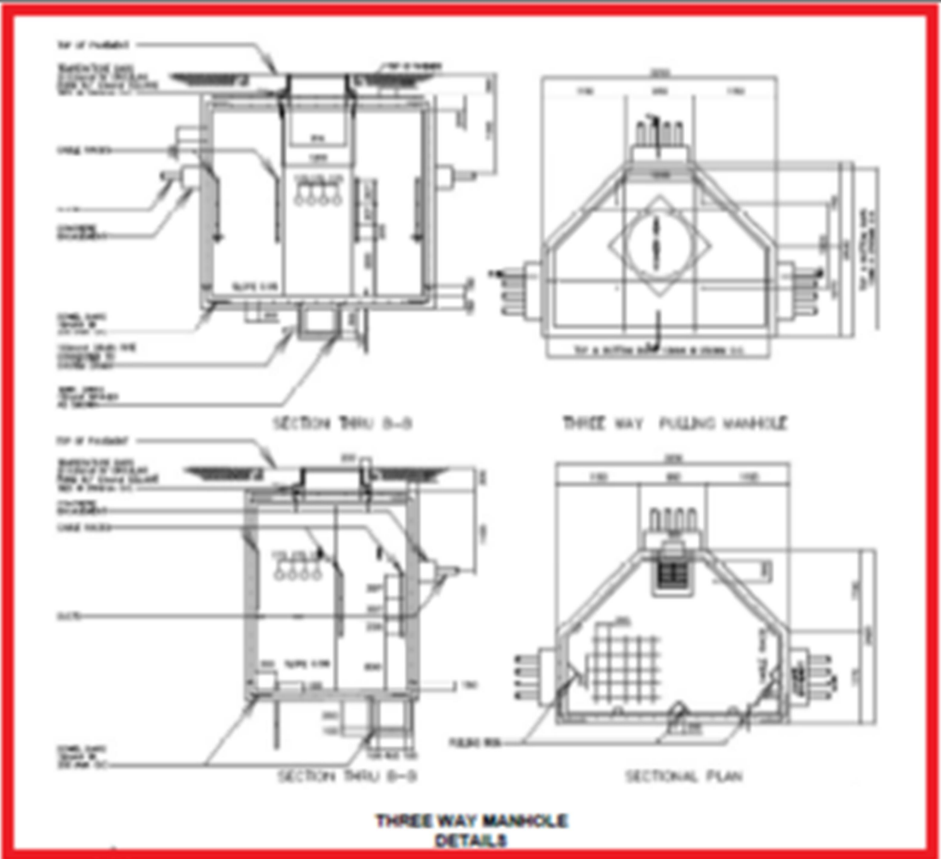


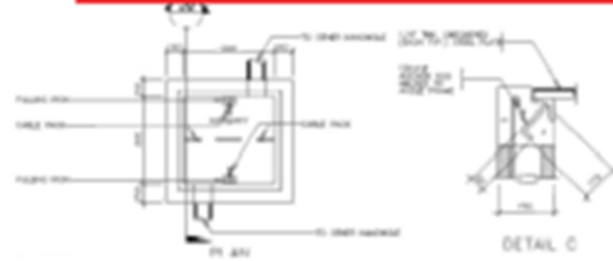
**CONCRETE PEDESTAL AND CONCRETE ENCASUREMENT DUCT DETAILS**



**AUXILIARY HANDHOLE DETAILS**




**THREE WAY MANHOLE DETAILS**



**DETAIL C**

**APPENDIX B**

<b>REGISTERED PROFESSIONAL:</b> <b>ENGR. FELIPE ELISES</b>		<b>PROJECT TITLE:</b> <b>CONSTRUCTION OF ELECTRICAL DISTRIBUTION SYSTEM</b>		<b>REPUBLIC OF THE PHILIPPINES</b> <b>DEPARTMENT OF SCIENCE AND TECHNOLOGY</b> <b>PHILIPPINE SCIENCE HIGH SCHOOL</b> <b>MINAROPA REGION CAMPUS</b> <b>BRUYI RD., ODOONGVAL, ROMBON</b>		<b>APPROVED BY:</b> 		<b>SHEET CONTENTS:</b> <b>CONCRETE PEDESTAL AND CONCRETE ENCASUREMENT DUCT DETAILS</b> <b>THREE WAY MANHOLE DETAILS</b> <b>AUXILIARY HANDHOLE DETAILS</b>		<b>SHEET NO.:</b> <b>E</b>	
<b>DATE:</b> <b>2024-08-20</b>	<b>SCALE:</b> <b>AS SHOWN</b>	<b>LOCATION:</b> <b>MINAROPA REGION CAMPUS, ODOONGVAL, ROMBON</b>								<b>0 3</b>	